

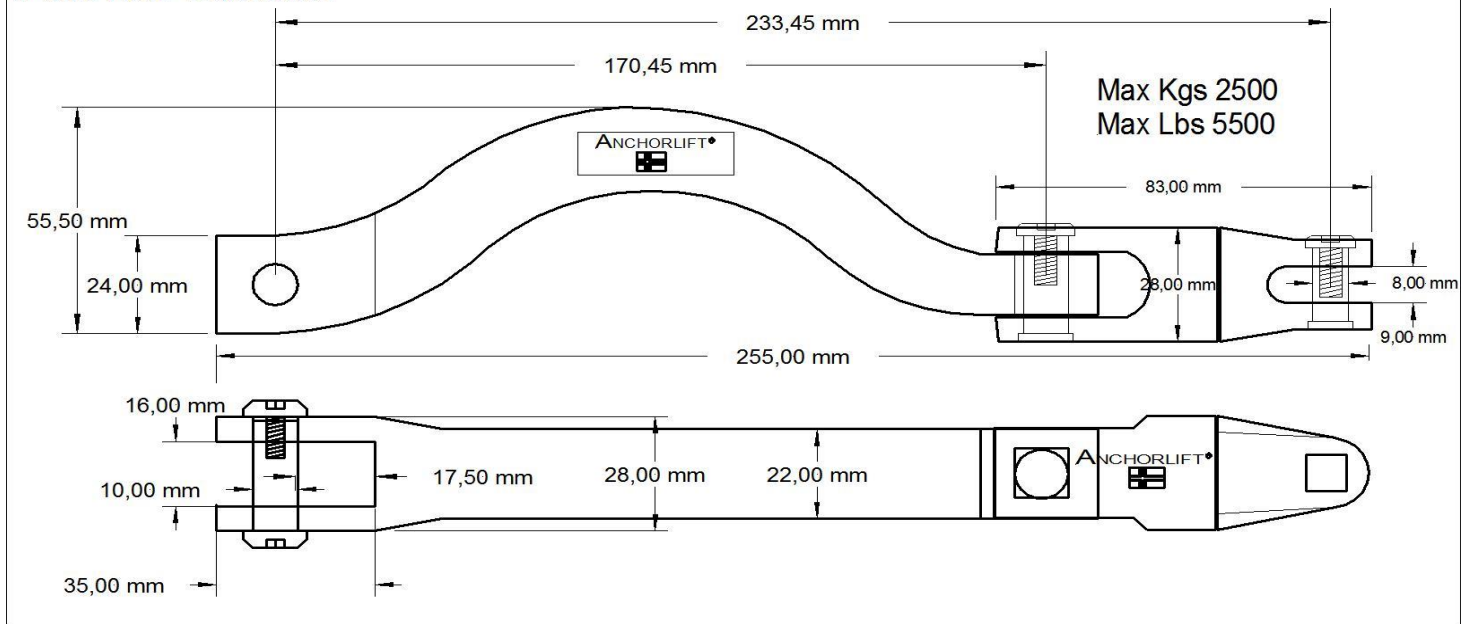


Anchor Turner. Anchors to 10kg 22lbs



Part No: 965008 **Anchors up to 10kg - 22lbs** Anchor Turner Kit. Anchor Turner 965008 + Swivel 964408

Part No. 965008.



Note!
Anchor Sizing Guide: is meant as a guide ONLY for matching anchors to the correct anchor turner. It can vary due to boat size, boat type and application. There are required minimums for roller guide widths. It is recommended that Rollers be made of nylon, POM, other plastic material or brass / bronze.

Minimum roller wide:
 50mm - 2"

Anchors:

Anchorlift TPX	Anchorlift CX	Anchorlift XR	Lewmar Delta	Rocna /Vulcan	Manson Supreem	Mantus	Bruce /Claw	Fortress / Gardian
TPX6kg - 13lbs	CX5 - 11	XR6	6kg - 13,2lbs	6kg - 13,2lbs	4,5kg - 10lbs	5,9kg - 13lbs	5kg - 11lbs	FX7
TPX8kg - 17,6lbs	CX7 - 13,5	XR8	10kg - 22lbs	10kg - 22lbs	6,8kg - 15lbs	11,4kg - 25lbs	7,5kg - 16,5lbs	FX11
TPX10kg - 22lbs	CX10 - 22	XR10			11,4kg - 25lbs		10kg - 22lbs	

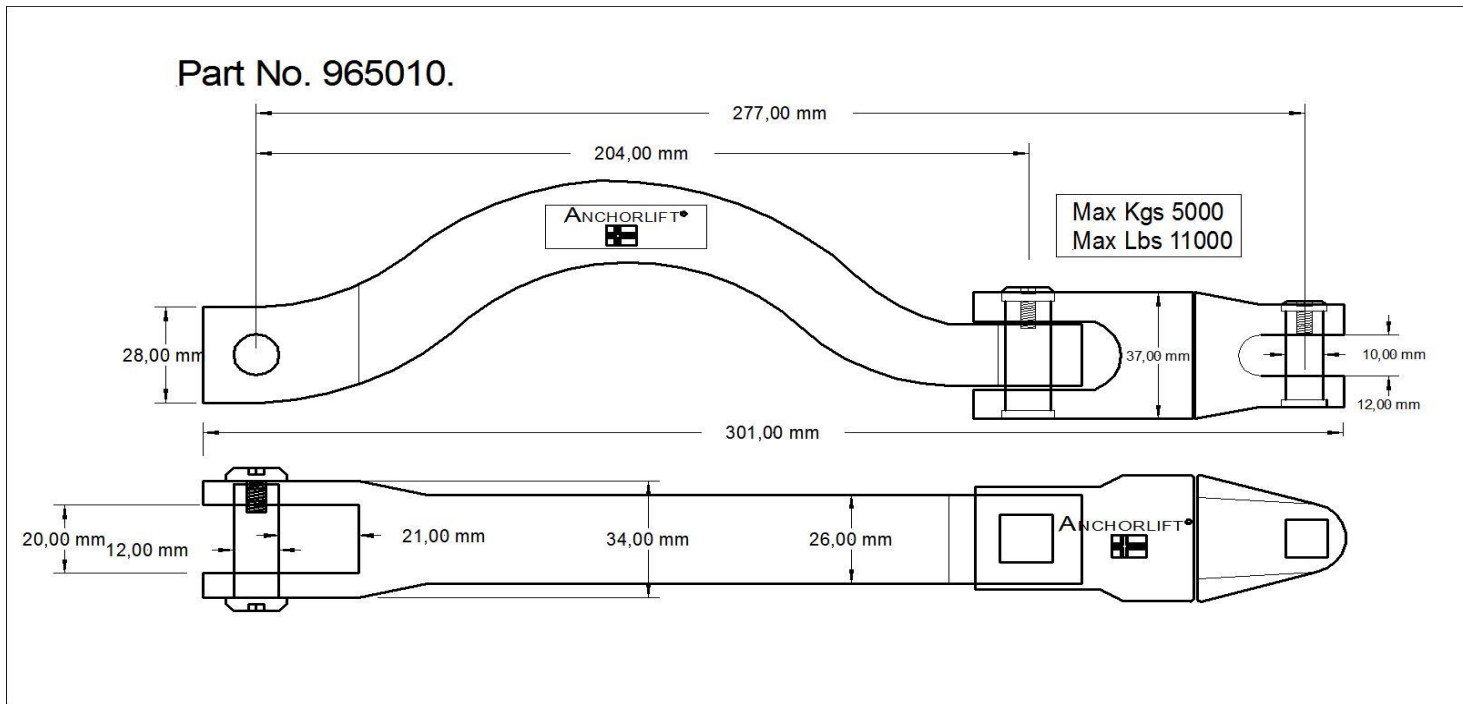
Chain size: 6mm DIN766 - 7mm DIN766 - 1/4HT G43



Anchor Turner. Anchors to 30kg 66lbs



Part No: **965010** Anchors up to 30kg - 66lbs Anchor Turner Kit. Anchor Turner 965010 + Swivel 964410



Note!

Anchor Sizing Guide: is meant as a guide ONLY for matching anchors to the correct anchor turner. It can vary due to boat size, boat type and application. There are required minimums for roller guide widths. It is recommended that Rollers be made of nylon, POM, other plastic material or brass / bronze.

Minimum roller wide:
58mm - 2,3"

Anchors:

Anchorlift TPX	Anchorlift CX	Anchorlift XR	Lewmar Delta	Rocna /Vulcan	Manson Supreem	Mantus	Bruce /Claw	Fortress / Gardian
TPX15 / 33	CX15 / 33	XR15 / 33	Delta 16	15kg - 33lbs	11,4kg - 25lbs	15,9kg - 35lbs	15kg - 33lbs	FX16
TPX20 / 44	CX20 / 44	XR20 / 44	Delta 20	20kg - 44lbs	16kg - 35lbs	20,5kg - 45lbs	20kg - 33lbs	FX23
	CX25 / 55	XR25 / 55		25kg - 55lbs	20,5kg - 45lbs	25kg - 55lbs		
						29,5kg - 65lbs		

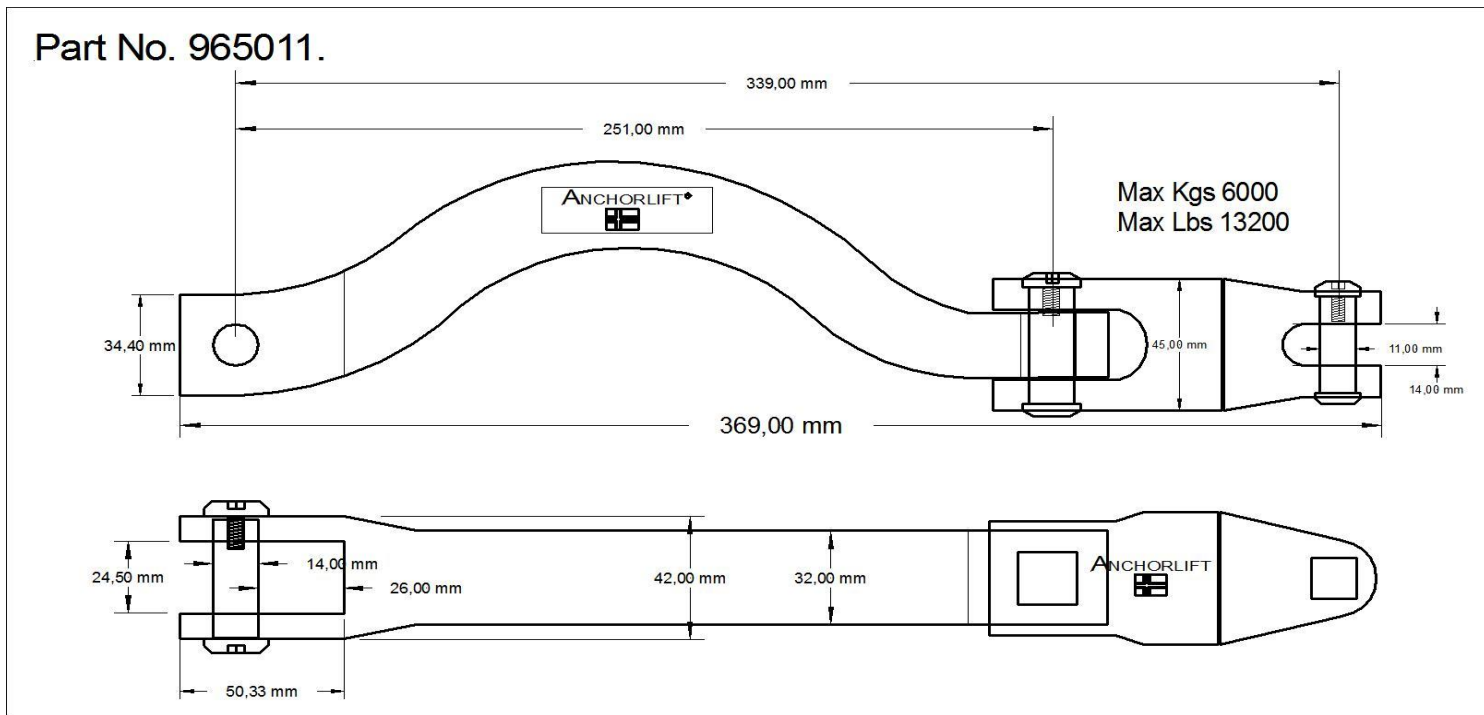
Chain size: 8mm DIN766 - 10mm DIN766 - 10mm ISO - 5/16BBB - 5/16HT G43 - 3/8BBB - 3/8HT G43



Anchor Turner. Anchors to 50kg 110lbs



Part No: **965011** Anchors up to 50kg - 110lbs Anchor Turner Kit. Anchor Turner 965011 + Swivel 964411



Note!
 Anchor Sizing Guide: is meant as a guide ONLY for matching anchors to the correct anchor turner. It can vary due to boat size, boat type and application. There are required minimums for roller guide widths. It is recommended that Rollers be made of nylon, POM, other plastic material or brass / bronze.

Minimum roller wide:
 75mm - 3"

Anchors:

Anchorlift TPX	Anchorlift CX	Anchorlift XR	Lewmar Delta	Rocna /Vulcan	Manson Supreem	Mantus	Bruce /Claw	Fortress / Gardian
TPX30 - 66lbs	CX30 - 66	XR30 - 66	25kg - 55lbs	33kg - 72,6lbs	27,3kg - 60lbs	29,5kg - 65lbs	30kg - 66lbs	FX37
TPX40 - 88lbs	CX40 - 88	XR40 - 88	32kg - 71lbs	40kg - 88lbs	36,4kg - 80lbs	38,6kg - 85lbs	50kg - 110lbs	FX55
TPX50 - 110lbs	CX50 - 110	XR50 - 110	40kg - 88lbs	55kg - 121lbs	45,5kg - 100lbs	47,7kg - 105lbs		FX85
			50kg - 110lbs		56,8kg - 125lbs	56,8kg - 125lbs		

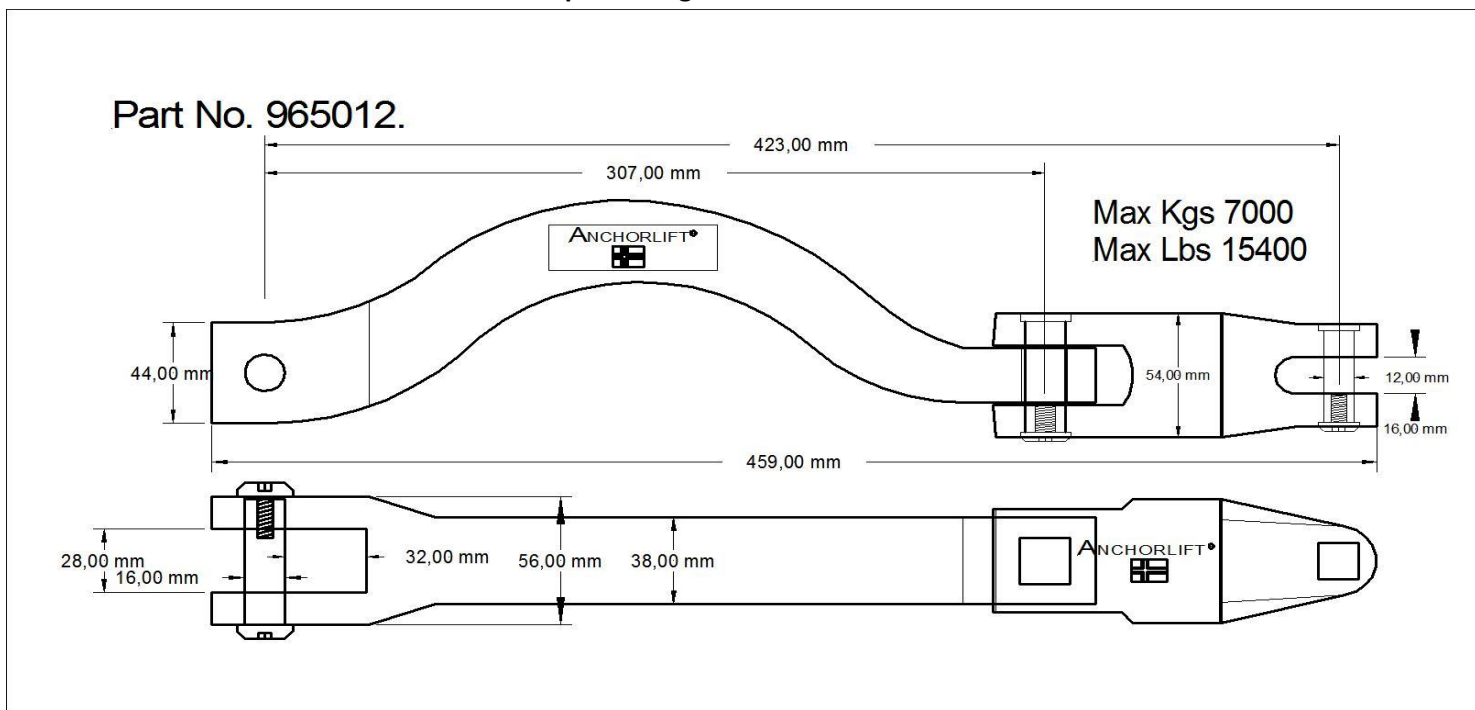
Chain size: 10mm DIN766 - 10mm ISO - 12 / 13mm DIN766 - 12mm ISO - 3/8BBB - 3/8HT G43 - 7/16"HT G43



Anchor Turner. Anchors to 120kg 265lbs



Part No: **965012** Anchors up to 120kg - 264lbs Anchor Turner Kit. Anchor Turner 965012 + Swivel 964412



Note!
Anchor Sizing Guide: is meant as a guide ONLY for matching anchors to the correct anchor turner. It can vary due to boat size, boat type and application. There are required minimums for roller guide widths. It is recommended that Rollers be made of nylon, POM, other plastic material or brass / bronze.

Minimum roller wide:
105mm - 4"

Anchors:

Anchorlift TPX	Anchorlift CX	Anchorlift XR	Lewmar Delta	Rocna /Vulcan	Manson Supreem	Mantus	Bruce /Claw	Fortress / Gardian
TPX80 - 176lbs	CX80 - 176	XR80 - 176	63kg - 138lbs	70kg - 154lbs	68kg - 150lbs	79,5kg - 175lbs	80kg - 176lbs	FX125
TPX120 - 264lbs	CX120 - 264	XR120 - 264		110kg - 242lbs	79,5kg - 175lbs		110kg - 242lbs	
				150kg - 330lbs	102,3kg - 225lbs			

Chain size: 10mm DIN766 - 10mm ISO - 12 / 13mm DIN766 - 12mm ISO - 14mm ISO - 3/8HT G43 - 7/16"HT G43 - 1/2HT G43